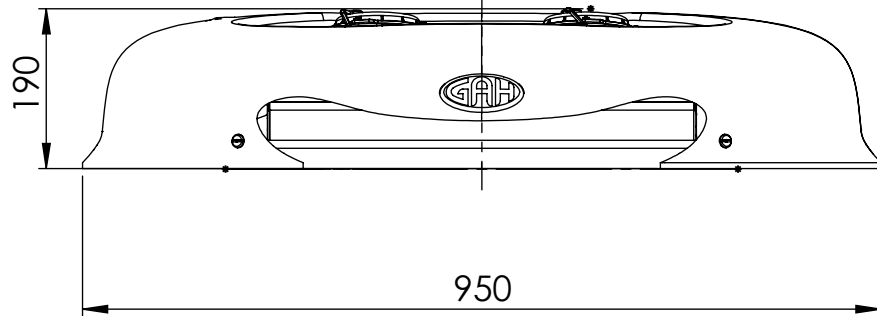
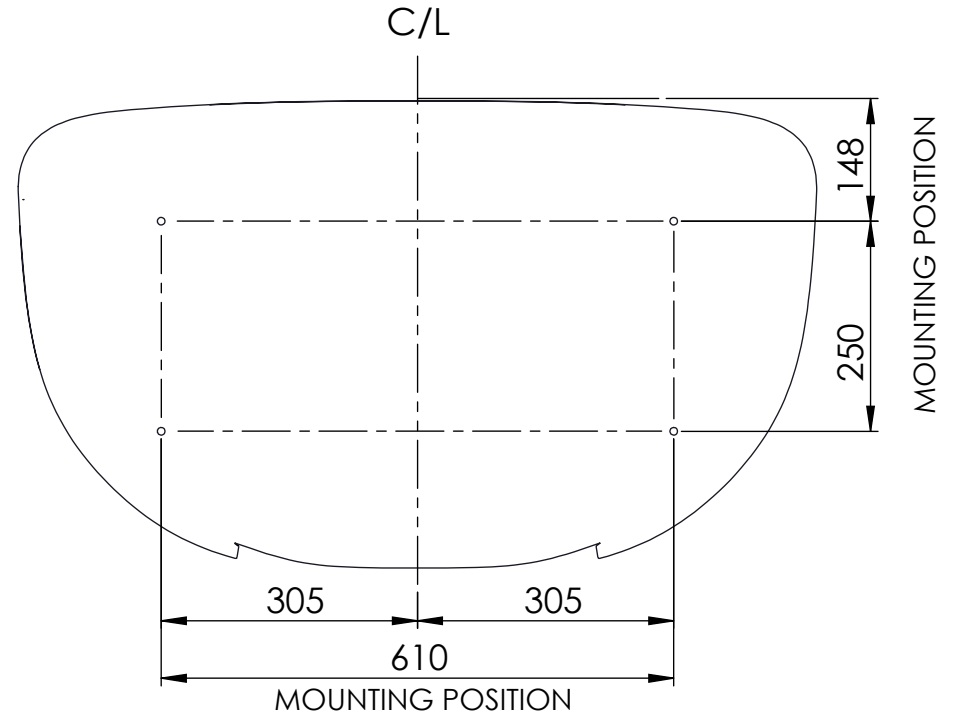
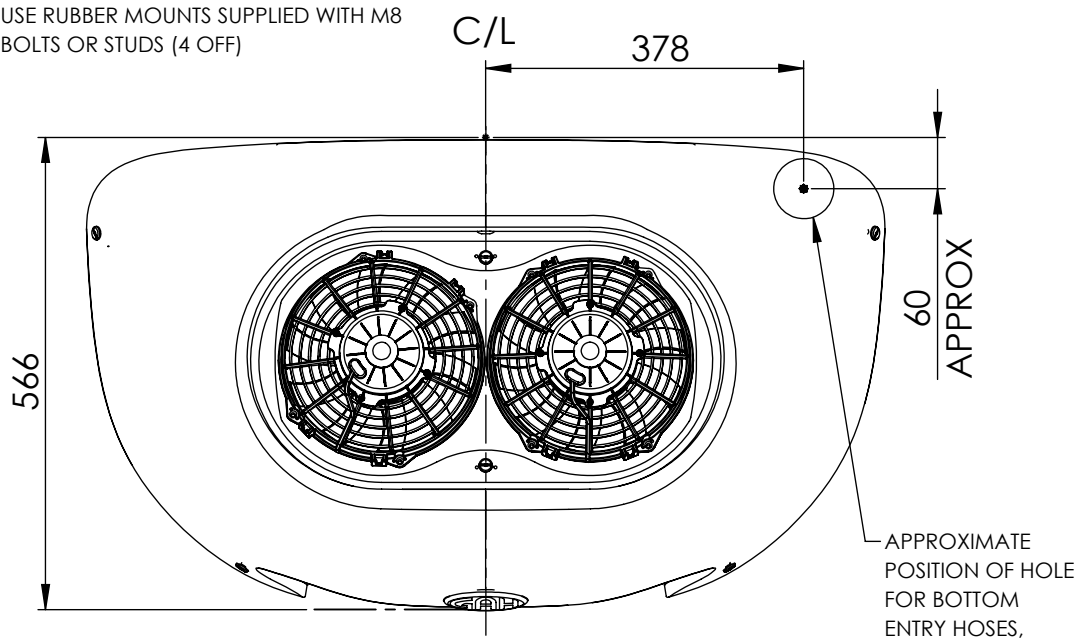
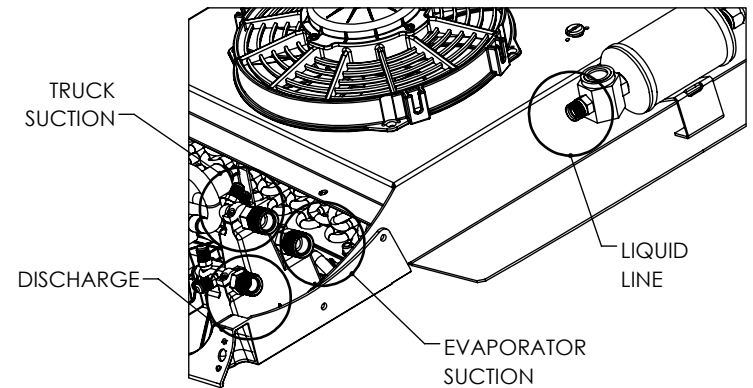


USE RUBBER MOUNTS SUPPLIED WITH M8 BOLTS OR STUDS (4 OFF)



03

CSA FOR WLTP
0.161502M ²
161502mm ²



REV.	DESCRIPTION	DATE
00	FIRST PRODUCTION ISSUE	21/04/2017
01	UNIT WEIGHTS ADDED JW	24/07/2017
02	UNIT WEIGHTS UPDATED FOR LCB MD	17/05/2018
03	CROSS SECTIONAL AREA TABLE ADDED JW	22/03/2019

CONDENSER STYLE	WEIGHT (Kg)
SA350C	15.3
SA350F	17.3

GENERAL TOLERANCES	
MACHINED PARTS	±0.25mm ±0.50*
SHEET METAL	±0.50mm ±0.50*
PIPEWORK	±1.00mm ±3.00*
HOLE CENTRES	±0.25mm
UNLESS OTHERWISE SPECIFIED	
MATERIAL	--
DRN BY	JW
DATE	03/12/2015
SCALE	--
FINISH	--

	GAH (Refrigeration) Ltd Building 846, Bentwaters Parks, Rendlesham, Woodbridge, Suffolk IP12 2TW, TEL: 01394 421140	
	TITLE OUTLINE DRAWING SUPER ARROW CONDENSER LCB	
MODEL	SA350	DRG NO
		019-26503C REV 03