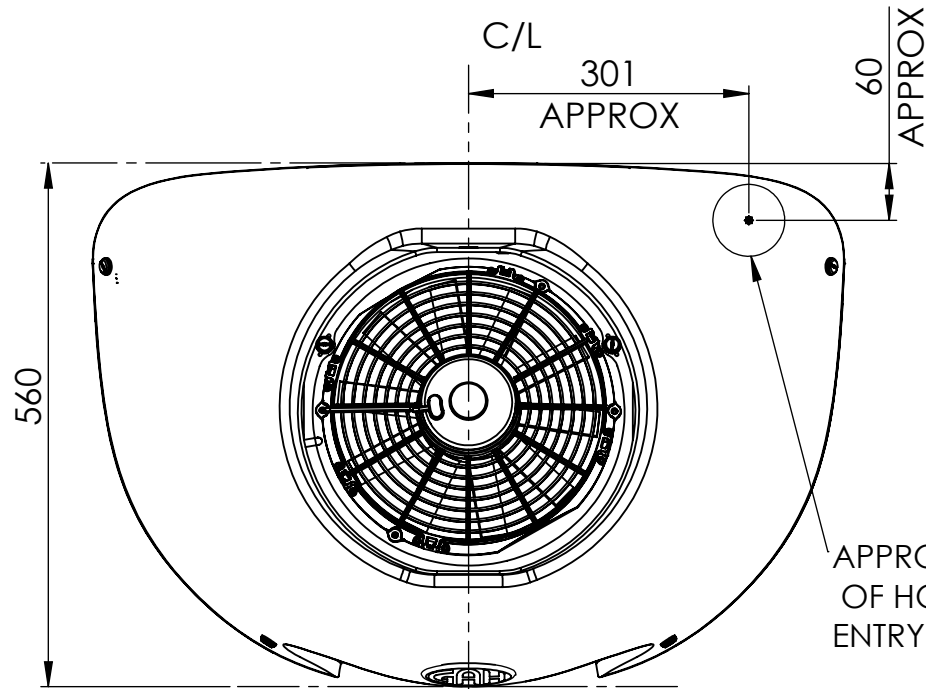
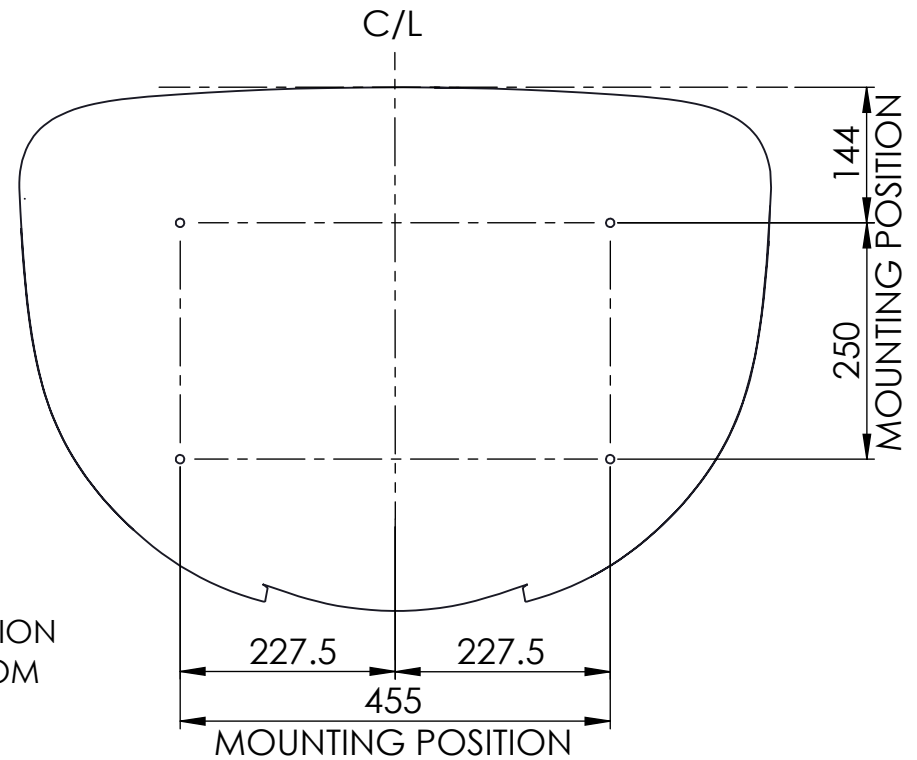


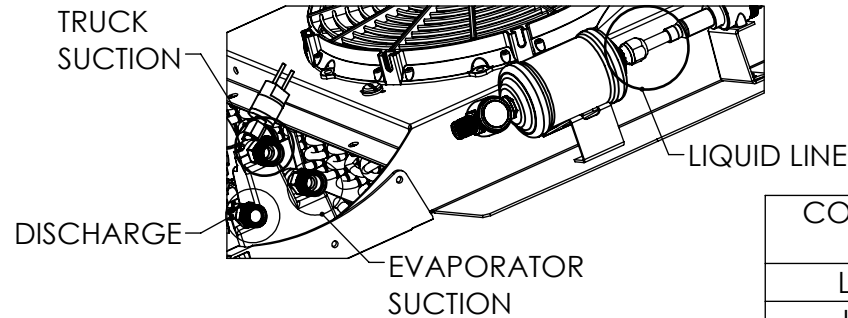
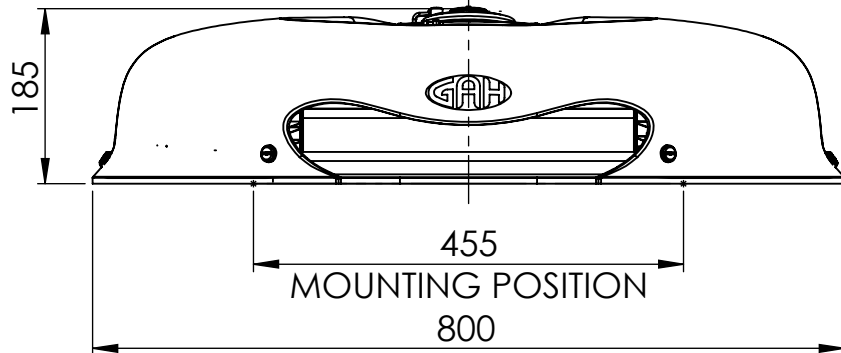
USE RUBBER MOUNTS SUPPLIED
WITH M8 BOLTS OR STUDS (4 OFF)



APPROXIMATE POSITION
OF HOLE FOR BOTTOM
ENTRY HOSES



UNDERSIDE OF UNIT SHOWING FIXING CENTRES



CONDENSER STYLE	WEIGHT (Kg)
L200CN	12.7
L200FN	14.5

06

CSA FOR WLTP
0.124778M ²
124788mm ²

GENERAL TOLERANCES	
MACHINED PARTS	±0.25mm ±0.50*
SHEET METAL	±0.50mm ±0.50*
PIPEWORK	±1.00mm ±3.00*
HOLE CENTRES	±0.25mm
UNLESS OTHERWISE SPECIFIED	
MATERIAL	
--	
DRN BY	JW
DATE	03/12/2015
SCALE	--
FINISH	--

	GAH (Refrigeration) Ltd Building 846, Bentwaters Parks, Rendlesham, Woodbridge, Suffolk IP12 2TW, TEL: 01394 421140	
	TITLE OUTLINE DRAWING LANCE CONDENSER LCB	
MODEL	L200	DRG NO
		019-26503B REV 06

REV.	DESCRIPTION	DATE
03	View format simplified. Pipework connection view added	30/03/2017
04	UNIT WEIGHTS ADDED & PIPEWORK VIEW REVISED JW	24/07/2017
05	UNIT WEIGHTS UPDATED FOR LCB MD	22/05/2018
06	CROSS SECTIONAL AREA TABLE ADDED JW	21/03/2019