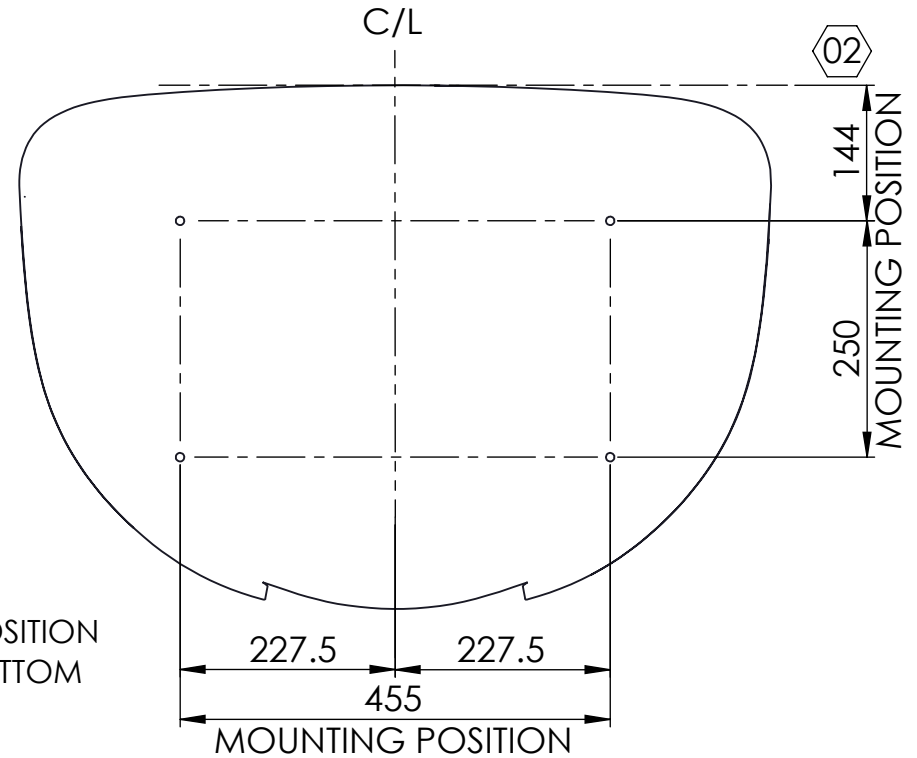
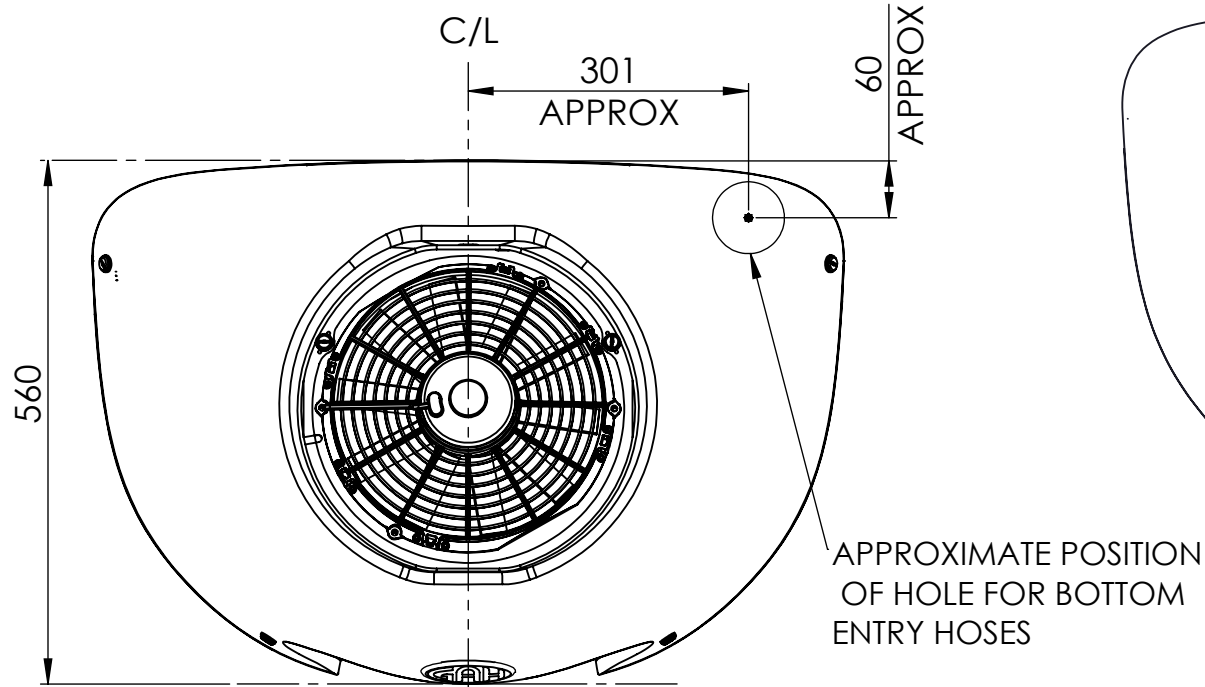
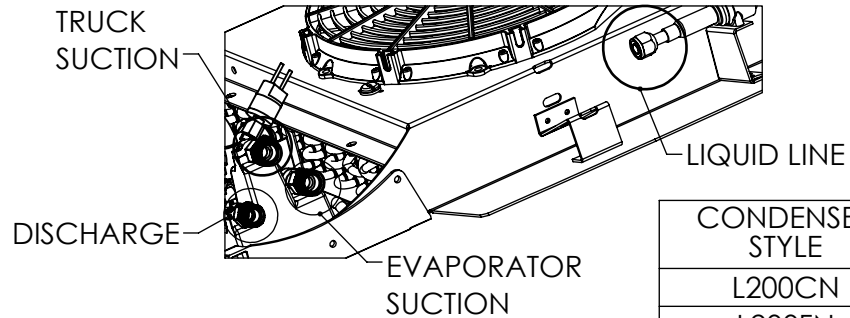
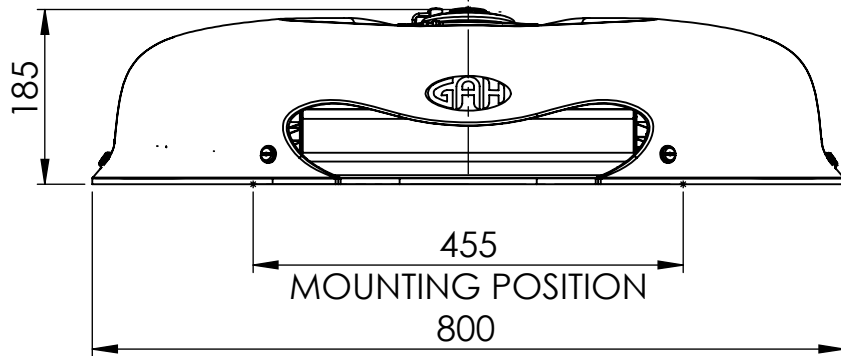


USE RUBBER MOUNTS SUPPLIED
WITH M8 BOLTS OR STUDS (4 OFF)



UNDERSIDE OF UNIT SHOWING FIXING CENTRES



CONDENSER STYLE	WEIGHT (Kg)
L200CN	13.1
L200FN	14.9

GENERAL TOLERANCES	
MACHINED PARTS	±0.25mm ±0.50*
SHEET METAL	±0.50mm ±0.50*
PIPEWORK	±1.00mm ±3.00*
HOLE CENTRES	±0.25mm
UNLESS OTHERWISE SPECIFIED	

GAH (Refrigeration) Ltd
Building 846, Bentwaters Parks,
Rendlesham, Woodbridge,
Suffolk IP12 2TW, TEL: 01394 421140

REV.	DESCRIPTION	DATE
02	ADDED MOUNTING POSITION DETAIL VIEW	21/01/2016
03	View format simplified. Pipework connection view added	30/03/2017
04	UNIT WEIGHTS ADDED & PIPEWORK VIEW REVISED JW	24/07/2017

MATERIAL	--
DRN BY	JW
DATE	03/12/2015
SCALE	--
FINISH	--

TITLE	OUTLINE DRAWING LANCE CONDENSER	
MODEL	L200	DRG NO
		019-26503B REV 04