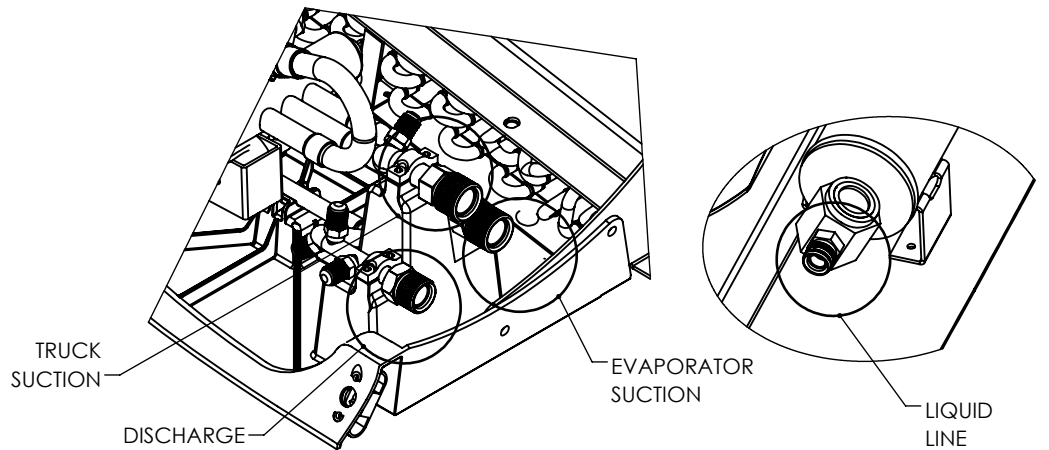
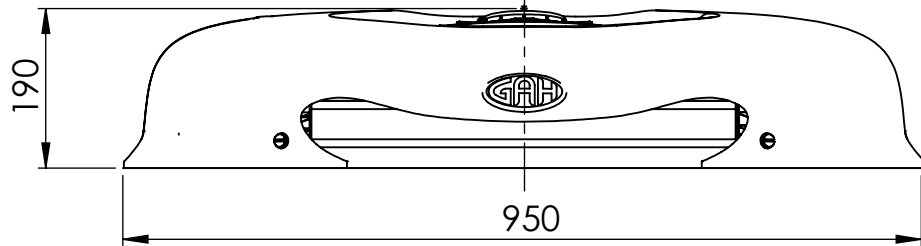
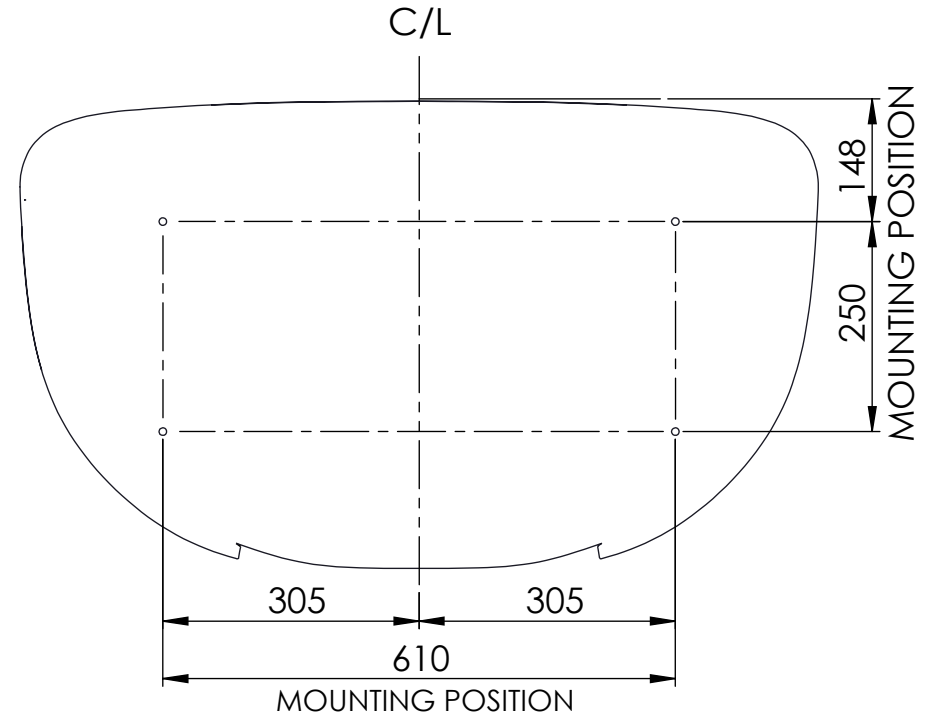
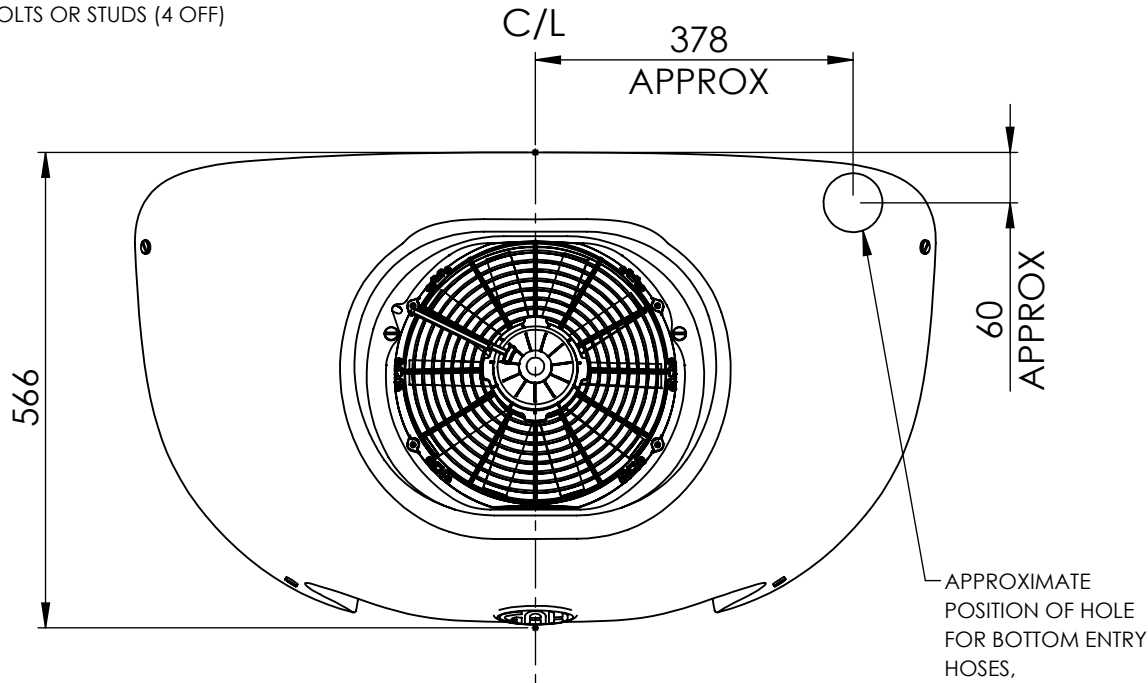


USE RUBBER MOUNTS SUPPLIED WITH M8 BOLTS OR STUDS (4 OFF)



06

REV.	DESCRIPTION	DATE
03	View format simplified. Pipework connection view added	30/03/2017
04	Drawing 019-26503C added to series to cover Super Arrow	21/04/2017
05	ADDED UNIT WEIGHTS FREEZER & CHILLER JW	03/07/2017
06	UNIT WEIGHTS UPDATED FOR LCB	22/05/2018

CONDENSER STYLE	WEIGHT (Kg)
A300CN	15
A300FN	16.7

GENERAL TOLERANCES	
MACHINED PARTS	±0.25mm ±0.50*
SHEET METAL	±0.50mm ±0.50*
PIPEWORK	±1.00mm ±3.00*
HOLE CENTRES	±0.25mm
UNLESS OTHERWISE SPECIFIED	
MATERIAL	
--	
DRN BY	JW
DATE	03/12/2015
SCALE	--
FINISH	--

	GAH (Refrigeration) Ltd Building 846, Bentwaters Parks, Rendlesham, Woodbridge, Suffolk IP12 2TW, TEL: 01394 421140	
	TITLE	
OUTLINE DRAWING ARROW CONDENSER		
MODEL	A300	DRG NO
		019-26503A REV 06