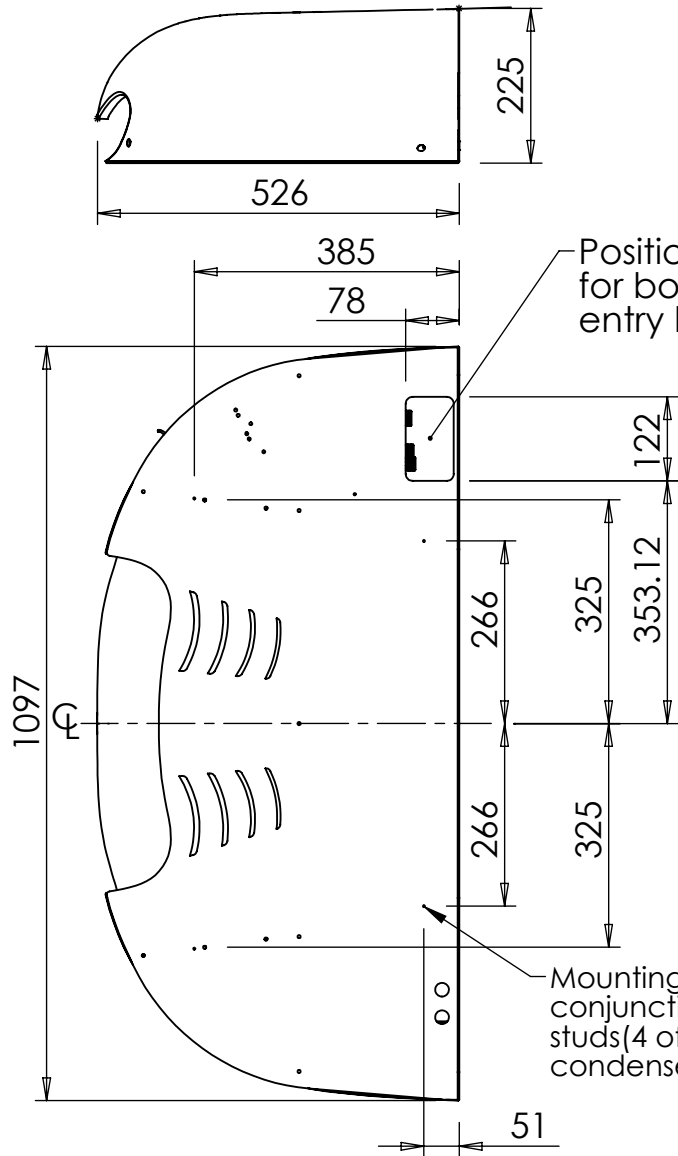
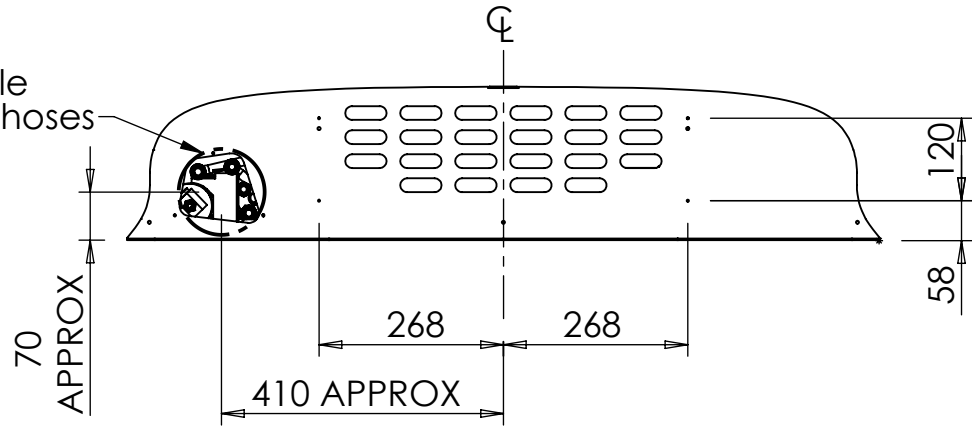


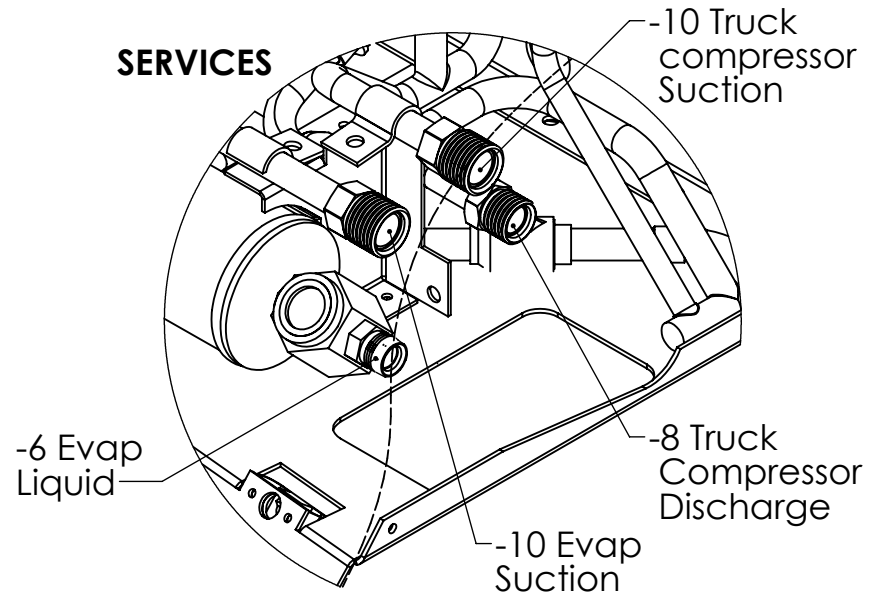
PILOT HOLES FOR FIXINGS POSITIONS WILL NEED TO BE OPENED OUT TO SUIT



L201F  
Position of hole for rear entry hoses



**SERVICES**



04

CSA FOR WLTP	CONDENSER STYLE	WEIGHT Kg
0.218695M <sup>2</sup>	L150eC	42
	L201C	47
218695mm <sup>2</sup>	L201F	48

GENERAL TOLERANCES	
MACHINED PARTS	±0.25mm ±0.50*
SHEET METAL	±0.50mm ±0.50*
PIPEWORK	±1.00mm ±3.00*
HOLE CENTRES	±0.25mm
UNLESS OTHERWISE SPECIFIED	
MATERIAL	--
DRN BY	NEG
DATE	05/3/2014
SCALE	NTS
FINISH	S/C

		GAH (Refrigeration) Ltd Building 846, Bentwaters Parks, Rendlesham, Woodbridge, Suffolk IP12 2TW, TEL: 01394 421140	
		TITLE Condenser outline drawing	
MODEL	L201 L150e	DRG NO	019-25285 Rev 04

REVISIONS		
REV.	DESCRIPTION	DATE
03	UNIT WEIGHTS ADDED ECR 0116 JW	03/05/2016
04	CROSS SECTIONAL AREA TABLE ADDED JW	21/03/2019