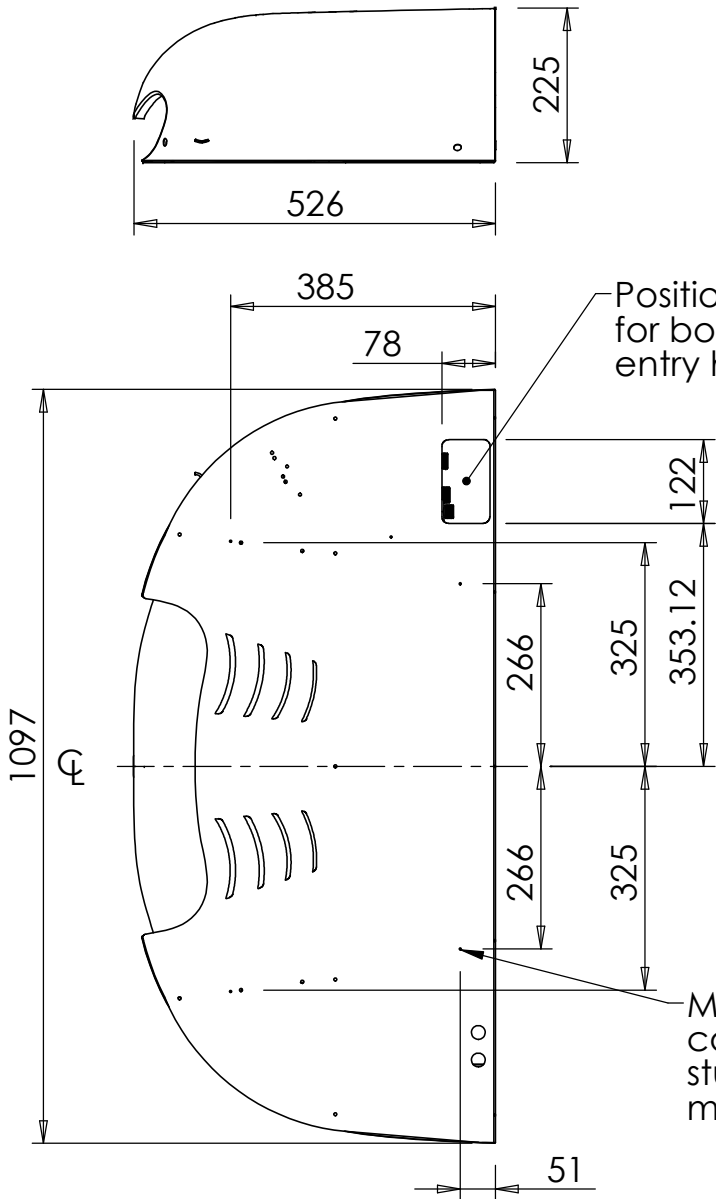
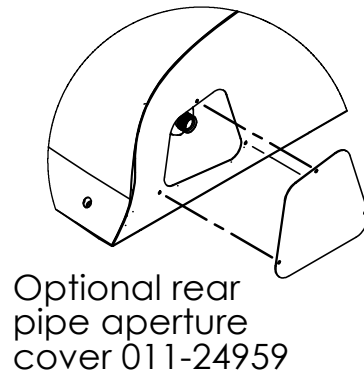


PILOT HOLES FOR FIXINGS POSITIONS WILL NEED TO BE OPENED OUT TO SUIT

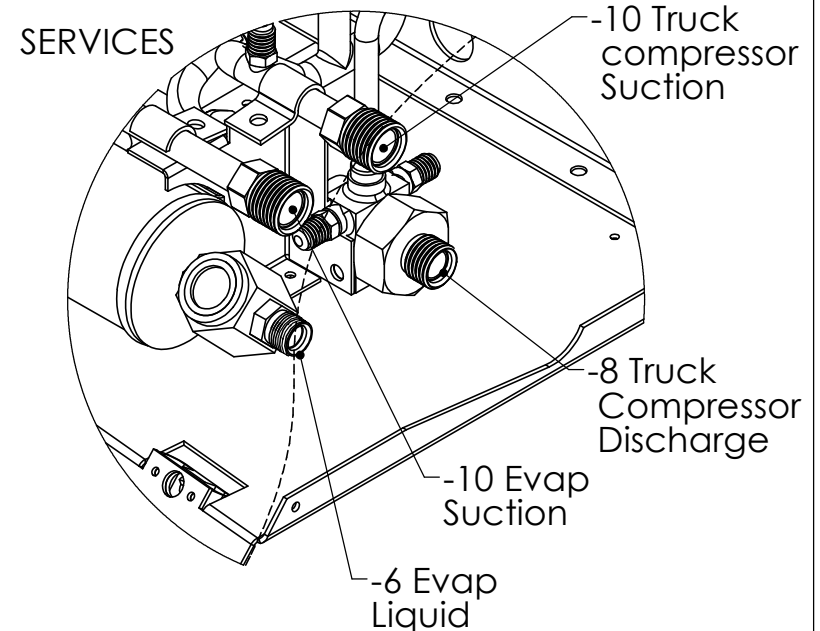
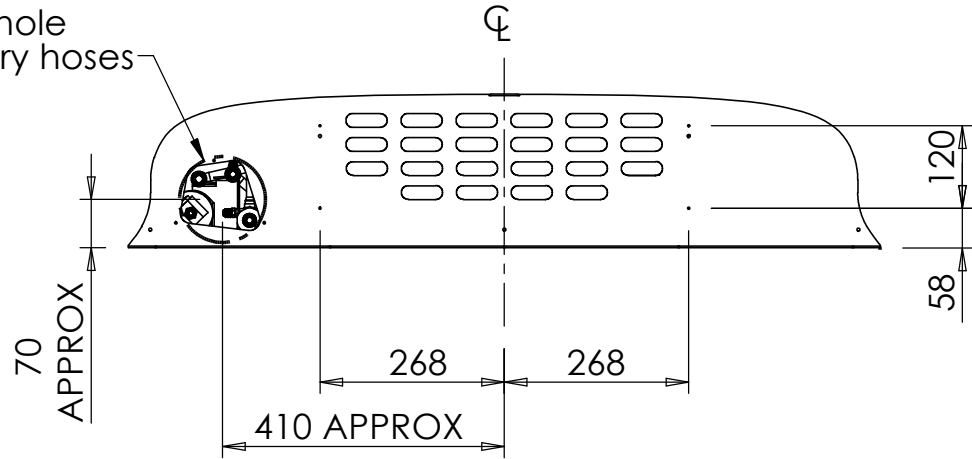
L201F
Position of hole
for rear entry hoses



Position of hole
for bottom
entry hoses



Mounting pads used in conjunction with M8 bolts or studs (4 off) when roof mounting condenser



03

CONDENSER STYLE	WEIGHT Kg
L150eC	42
L201C	47
L201F	48

GENERAL TOLERANCES	
MACHINED PARTS	±0.25mm ±0.50*
SHEET METAL	±0.50mm ±0.50*
PIPEWORK	±1.00mm ±3.00*
HOLE CENTRES	±0.25mm
UNLESS OTHERWISE SPECIFIED	
MATERIAL	--
DRN BY	NEG
DATE	05/3/2014
SCALE	NTS
FINISH	S/C

GAH (Refrigeration) Ltd Building 846, Bentwaters Parks, Rendlesham, Woodbridge, Suffolk IP12 2TW, TEL: 01394 421140		TITLE	
		Condenser outline drawing	
MODEL	L201 L150e	DRG NO	019-25285 Rev 03

REVISIONS		
REV.	DESCRIPTION	DATE
03	UNIT WEIGHTS ADDED ECR 0116 JW	03/05/2016