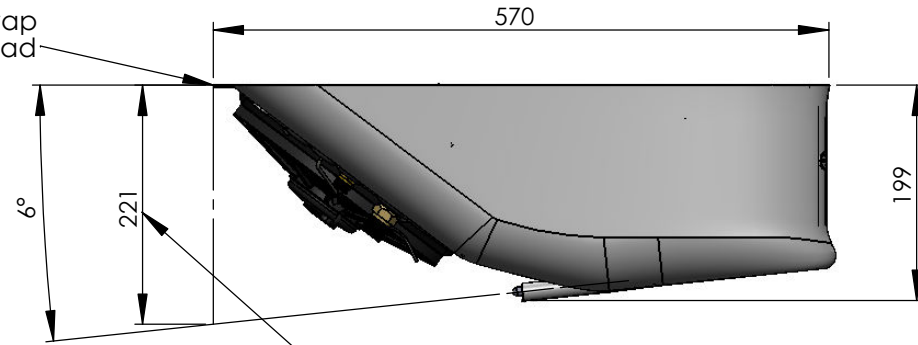
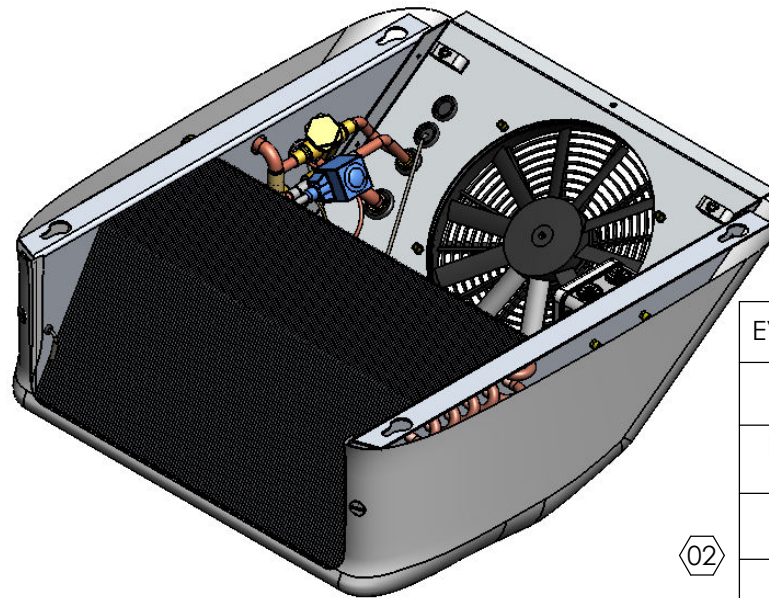
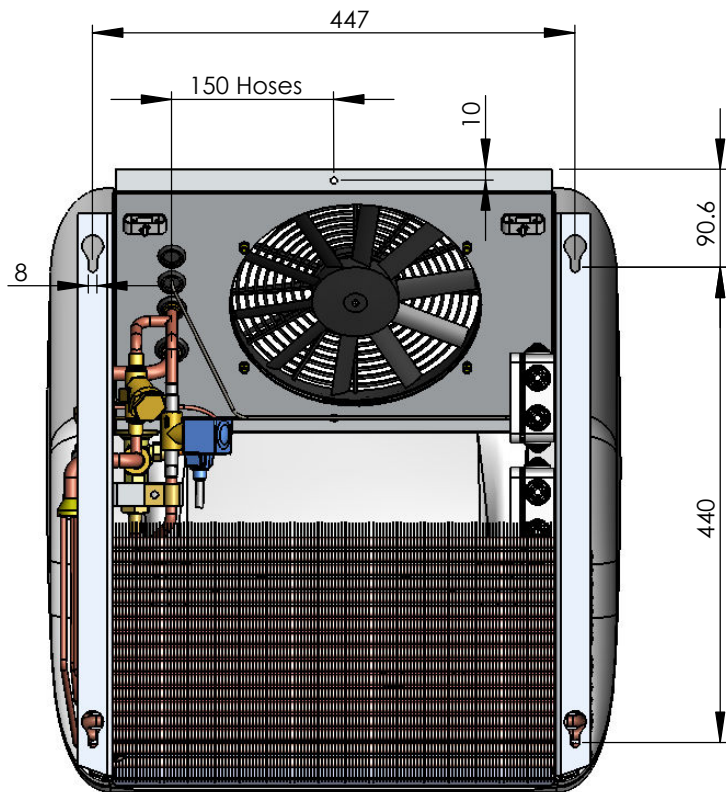


For optimum performance fit evap 75mm from bulkhead



Min dimension for drain holes

Dual unit with solenoid valve shown - other models may vary



Note:
If fitting this evap to a non flat roof an additional plate can be ordered from GAH Part No. 011-24646

EVAPORATOR STYLE	WEIGHT(Kg)
L200F 12V R404A	10
L200C W/SBY 12V R134a	10
L200 MASTER 12V R404A	10
L200 SLAVE 12V R404A	10
L200C W/O SBY R134a	9



REVISIONS

REV.	DESCRIPTION	DATE
01	Part number for flat top plate and note added	16/12/2015
02	ADDED UNIT WEIGHTS ECR0116 JW	28/04/2016

GENERAL TOLERANCES	
MACHINED PARTS	±0.25mm ±0.50*
SHEET METAL	±0.50mm ±0.50*
PIPEWORK	±1.00mm ±3.00*
HOLE CENTRES	±0.25mm
UNLESS OTHERWISE SPECIFIED	
MATERIAL	--
DRN BY	MAB
DATE	28/6/2011
SCALE	1:7
FINISH	--

	GAH (Refrigeration) Ltd Building 846, Bentwaters Parks, Rendlesham, Woodbridge, Suffolk IP12 2TW, TEL: 01394 421140	
	TITLE	L200 Evap outline drawing
MODEL	L200	DRG NO
		019-24621 Rev 02