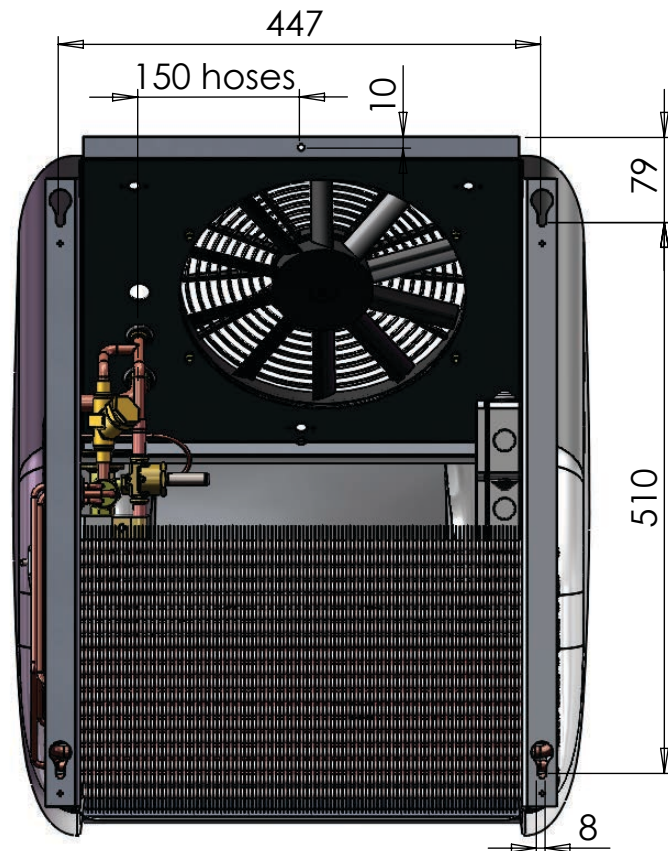
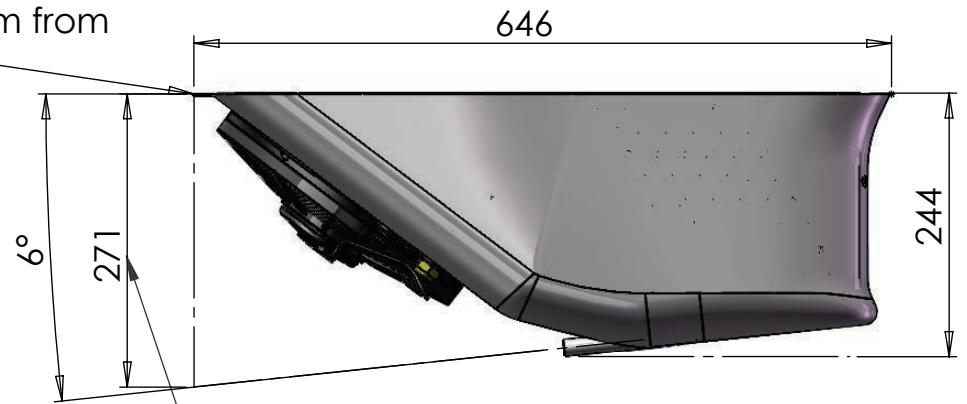


For optimum performance
fit evap 100mm from
bulkhead



Note:
If fitting this evap to a non flat
roof an additional plate can
be ordered from GAH
Part No. 011-23774



02

EVAPORATOR STYLE	WEIGHT (Kg)
SRD /J5D MASTER 12V	13.3
SRD SLAVE 12V	13.1
R300 12V	13
R300C 12V	12.5
R301C 12V	12.4
R301C 24V	12.4

GENERAL TOLERANCES	
MACHINED PARTS	±0.25mm ±0.50*
SHEET METAL	±0.50mm ±0.50*
PIPEWORK	±1.00mm ±3.00*
HOLE CENTRES	±0.25mm
UNLESS OTHERWISE SPECIFIED	
MATERIAL	--
DRN BY	MAB
DATE	4/11/2009
SCALE	1:7
FINISH	--

	GAH (Refrigeration) Ltd Building 846, Bentwaters Parks, Rendlesham, Woodbridge, Suffolk IP12 2TW, TEL: 01394 421140	
	TITLE	R10 single fan evap outline
MODEL	R10	DRG NO
		019-23682 Rev 02

REV.	DESCRIPTION	DATE
02	UNIT WEIGHTS UPDATED MD	11/05/2018