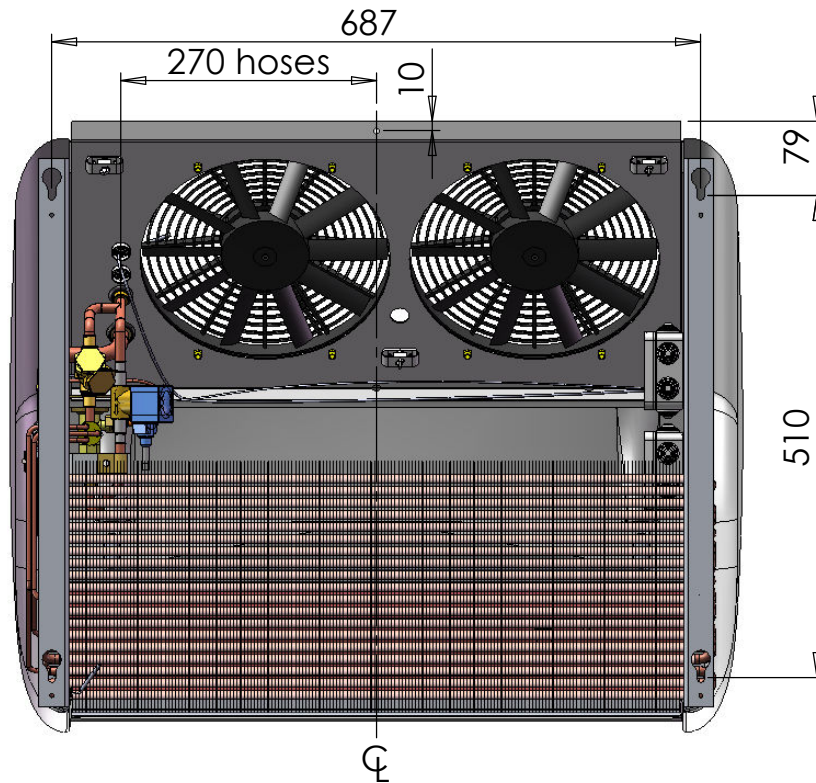
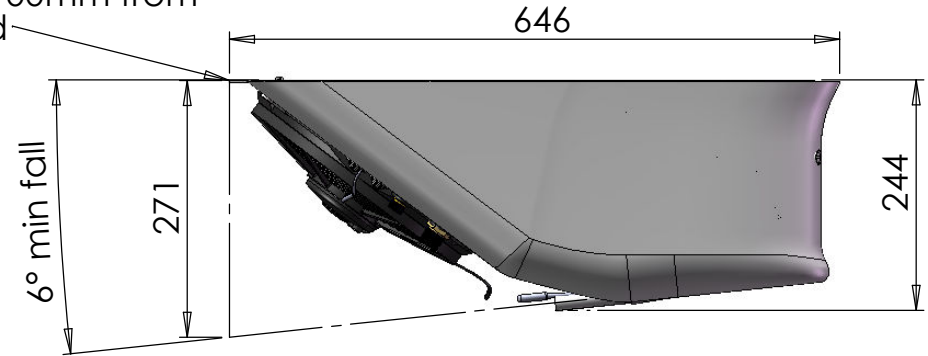


For optimum performance fit evap 100mm from bulkhead



Note:
If fitting this evap to a non flat roof an aditional plate can be ordered from GAH Part No. 011-23775



Evaporator Style	Weight (Kg)
SR350 12V	17
SR350C 12V	17
SR351C 12V	17
J5/FS7/EX7 DUAL MASTER 24V	16
J5/FS7/EX7 DUAL SLAVE 24V	16

01

REVISIONS

REV.	DESCRIPTION	DATE
01	UNIT WEIGHTS ADDED ECR0116 JW	03/05/2016

GENERAL TOLERANCES	
MACHINED PARTS	±0.25mm ±0.50*
SHEET METAL	±0.50mm ±0.50*
PIPEWORK	±1.00mm ±3.00*
HOLE CENTRES	±0.25mm
UNLESS OTHERWISE SPECIFIED	
MATERIAL	--
DRN BY	MAB
DATE	4/11/2009
SCALE	1:8
FINISH	--



GAH (Refrigeration) Ltd
Building 846, Bentwaters Parks,
Rendlesham, Woodbridge,
Suffolk IP12 2TW, TEL: 01394 421140

TITLE	
R10 Twin fan evap outline	
MODEL	SR350, SR351
DRG NO	019-23681 REV 01