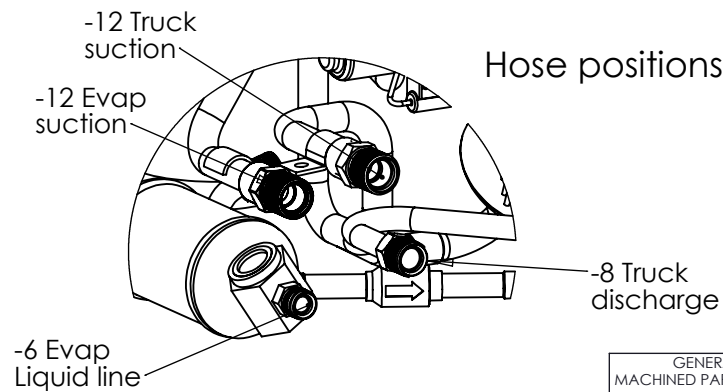
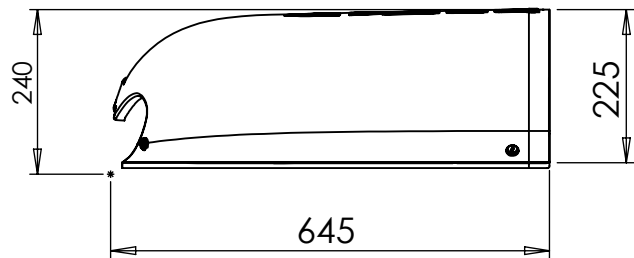


05

MODEL	WEIGHT(Kg)
RF300	31
RD300	31
RF301Z	47
RF301Q	50
RD301Z	48
RD301Q	51
SRF350	31
SRD350	32
SRF351Z	48
SRF351Q	51
SRD351Z	49
SRD351Q	52
SRD351E	58
SRD351 FLEXI	68
SR350VLA	31
SR351VLA	51

Chiller units are nominally 2Kg less. Add 1Kg for units with Liquid Injection



GENERAL TOLERANCES	
MACHINED PARTS	±0.25mm ±0.50*
SHEET METAL	±0.50mm ±0.50*
PIPEWORK	±1.00mm ±3.00*
HOLE CENTRES	±0.25mm
UNLESS OTHERWISE SPECIFIED	
MATERIAL	--
DRN BY	MAB
DATE	29/3/2010
SCALE	1:10
FINISH	--

	GAH (Refrigeration) Ltd Building 846, Bentwaters Parks, Rendlesham, Woodbridge, Suffolk IP12 2TW, TEL: 01394 421140	
	TITLE Condenser outline drawing LCB	
MODEL	R*30* SR*35*	DRG NO
		019-23680 Rev 05

REV.	DESCRIPTION	DATE
05	UNIT WEIGHTS UPDATED FOR LCB UNITS	11/05/2018