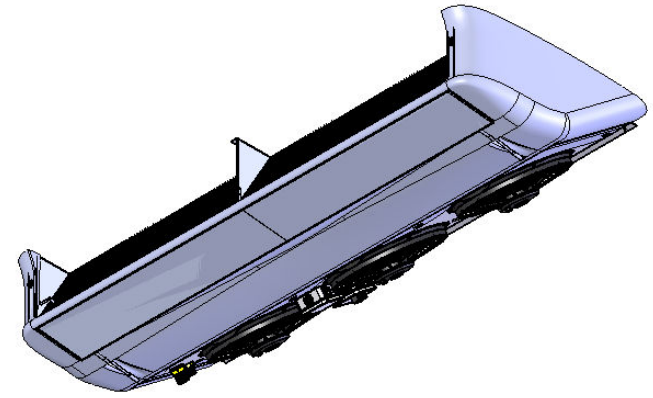
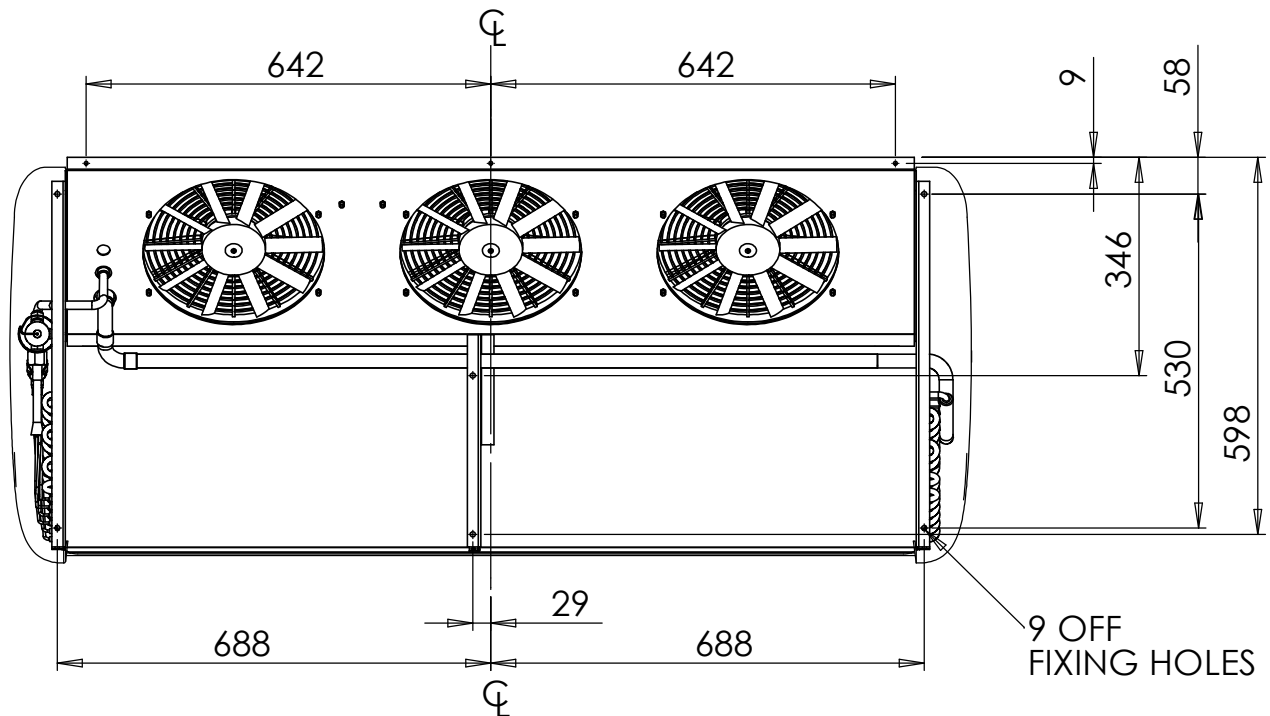


POSITION OF EVAPORATOR DRAIN HOLES IN BULKHEAD (REFER TO CONDENSER OUTLINE DRAWING 015-22768)



Evaporator Style	Weight (Kg)
FS7/EX7 24V	27

05

REV.	DESCRIPTION	DATE
04	Roof mounting positions clarified	22/04/2015
05	UNIT WEIGHT ADDED ECR0116 JW	28/04/2016

GENERAL TOLERANCES	
MACHINED PARTS	±0.25mm ±0.50*
SHEET METAL	±0.50mm ±0.50*
PIPEWORK	±1.00mm ±3.00*
HOLE CENTRES	±0.25mm
UNLESS OTHERWISE SPECIFIED	
MATERIAL	--
DRN BY	MAB
DATE	19/9/2008
SCALE	1:12
FINISH	--

	GAH (Refrigeration) Ltd Building 846, Bentwaters Parks, Rendlesham, Woodbridge, Suffolk IP12 2TW, TEL: 01394 421140	
	TITLE	
Evaporator outline drawing		
MODEL	FS7/EX7	DRG NO
		019-22950 Rev 05