

3rd ANGLE PROJECTION

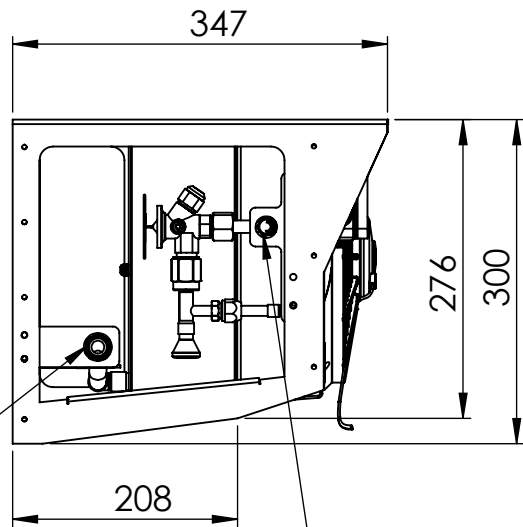
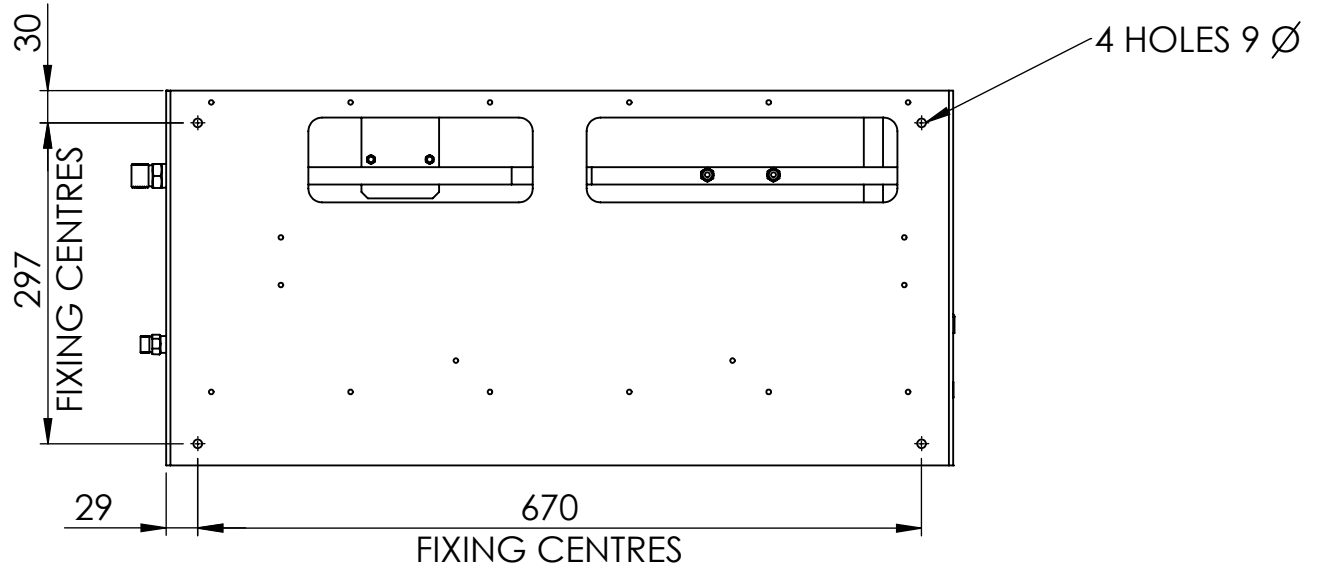
REMOVE ALL BURRS AND SHARP EDGES

ALL DIMENSIONS IN MILLIMETRES

IF IN DOUBT ASK

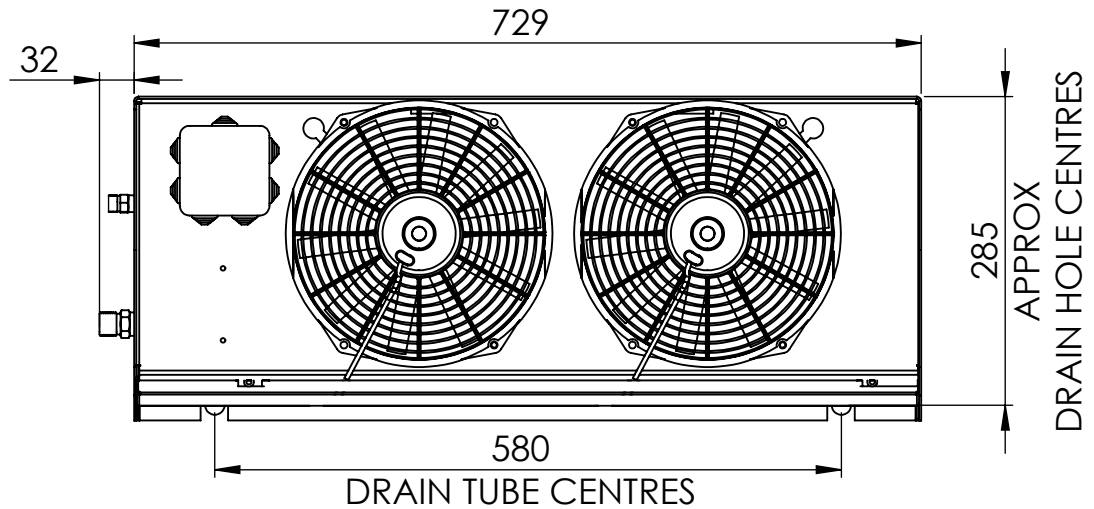
MODEL	WEIGHT KG
CHILL/ FREEZE	15
DUAL	16

04



SUCTION CONN
-10 HOSE

LIQUID CONN
-6 HOSE



REVISIONS		
REV.	DESCRIPTION	DATE
03	Redrawn to show change to 2 pipes	12/09/2017
04	Weights updated for LCB	16/05/2018

GENERAL TOLERANCES			
MACHINED PARTS	±0.25mm	±0.50*	
SHEET METAL	±0.50mm	±0.50*	
PIPEWORK	±1.00mm	±3.00*	
HOLE CENTRES	±0.25mm		
UNLESS OTHERWISE SPECIFIED			
MATERIAL			
N/A			
DRN BY	MD	DATE	12/09/2017
SCALE	N/A	FINISH	N/A

	GAH (Refrigeration) Ltd Building 846, Bentwaters Parks, Rendlesham, Woodbridge, Suffolk IP12 2TW, TEL: 01394 421140	
	TITLE OUTLINE DRAWING TWIN FAN EVAPORATOR LCB	
MODEL S.RAP. & JAV	DRG NO 019-17871 REV 04	