

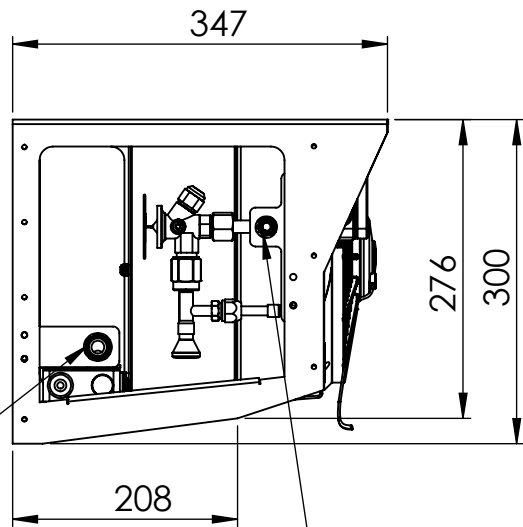
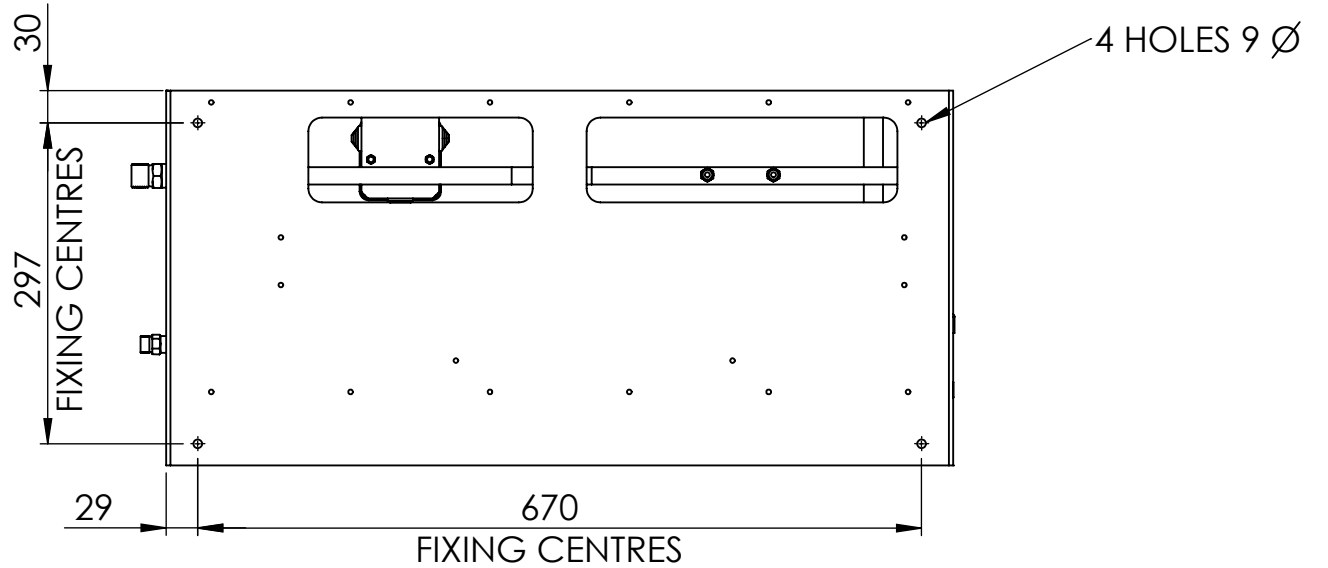
3rd ANGLE PROJECTION

REMOVE ALL BURRS AND SHARP EDGES

ALL DIMENSIONS IN MILLIMETRES

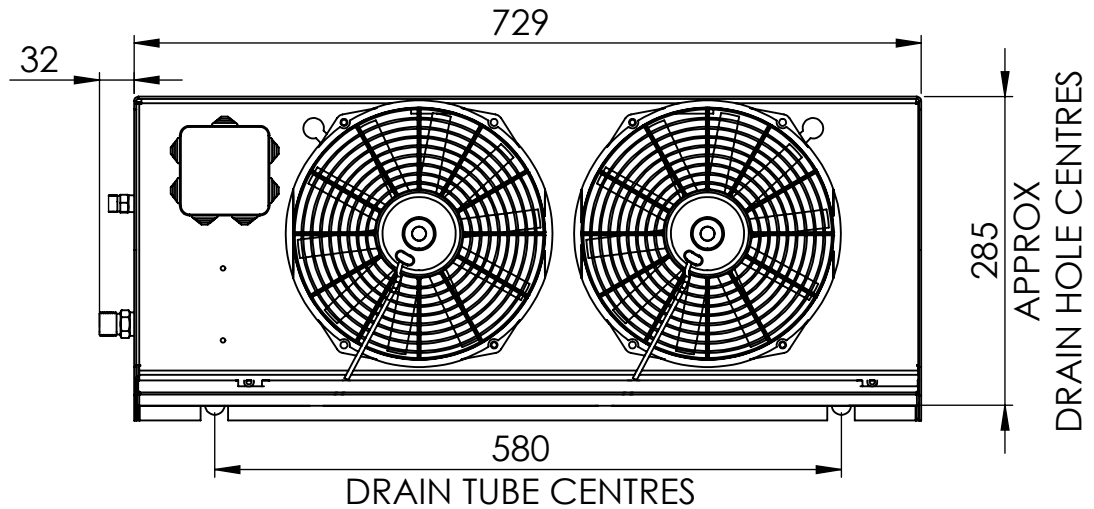
IF IN DOUBT ASK

EVAPORATOR TYPE	WEIGHT KG
TWIN METAL EVAP	13.2
FS7 DUAL (METAL) 24V	14



SUCTION CONN
-10 HOSE

LIQUID CONN
-6 HOSE



REVISIONS		
REV.	DESCRIPTION	DATE
03	Redrawn to show change to 2 pipes	12/09/2017

GENERAL TOLERANCES			
MACHINED PARTS	±0.25mm	±0.50*	
SHEET METAL	±0.50mm	±0.50*	
PIPEWORK	±1.00mm	±3.00*	
HOLE CENTRES	±0.25mm		
UNLESS OTHERWISE SPECIFIED			
MATERIAL			
N/A			
DRN BY	MD	DATE	12/09/2017
SCALE	N/A	FINISH	N/A

	GAH (Refrigeration) Ltd Building 846, Bentwaters Parks, Rendlesham, Woodbridge, Suffolk IP12 2TW, TEL: 01394 421140	
	TITLE OUTLINE DRAWING TWIN FAN EVAPORATOR	
MODEL S.RAP. & JAV	DRG NO 019-17871 REV 03	