

3rd ANGLE PROJECTION

REMOVE ALL BURRS AND SHARP EDGES

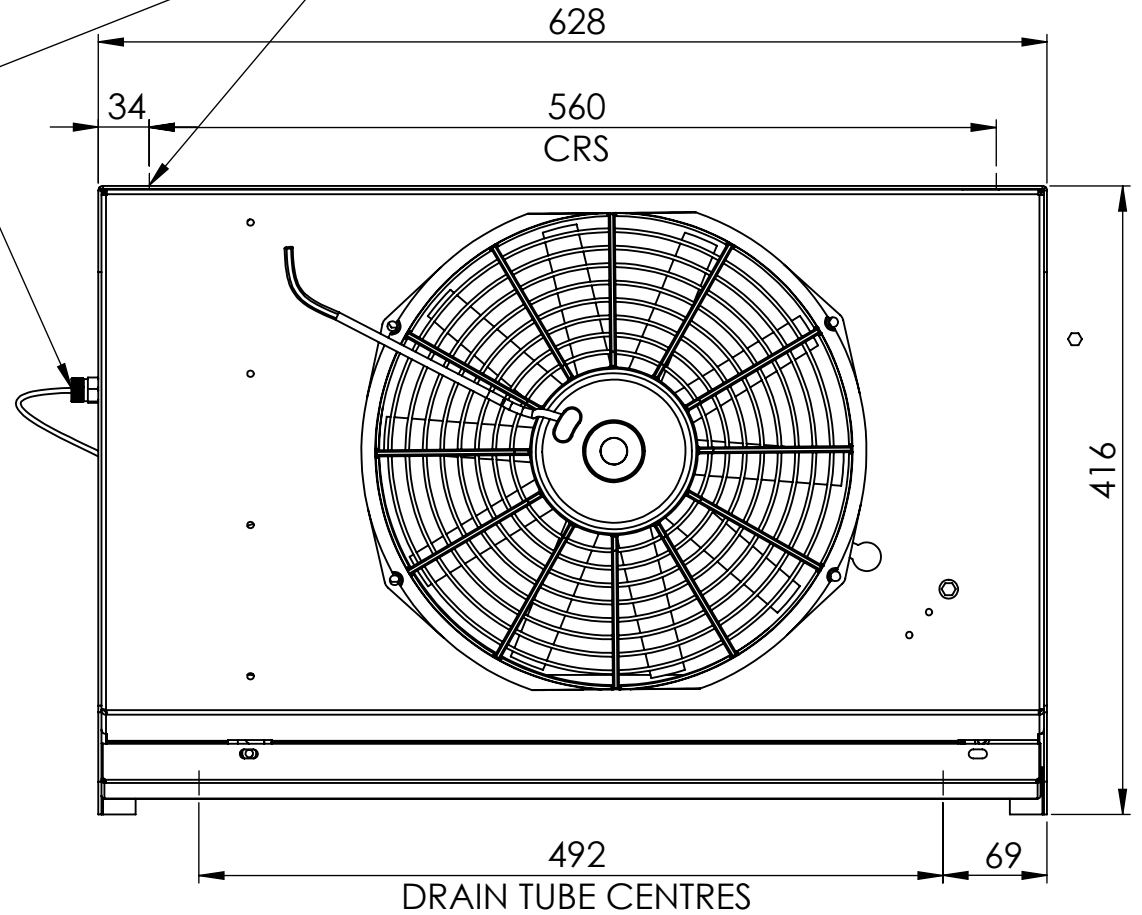
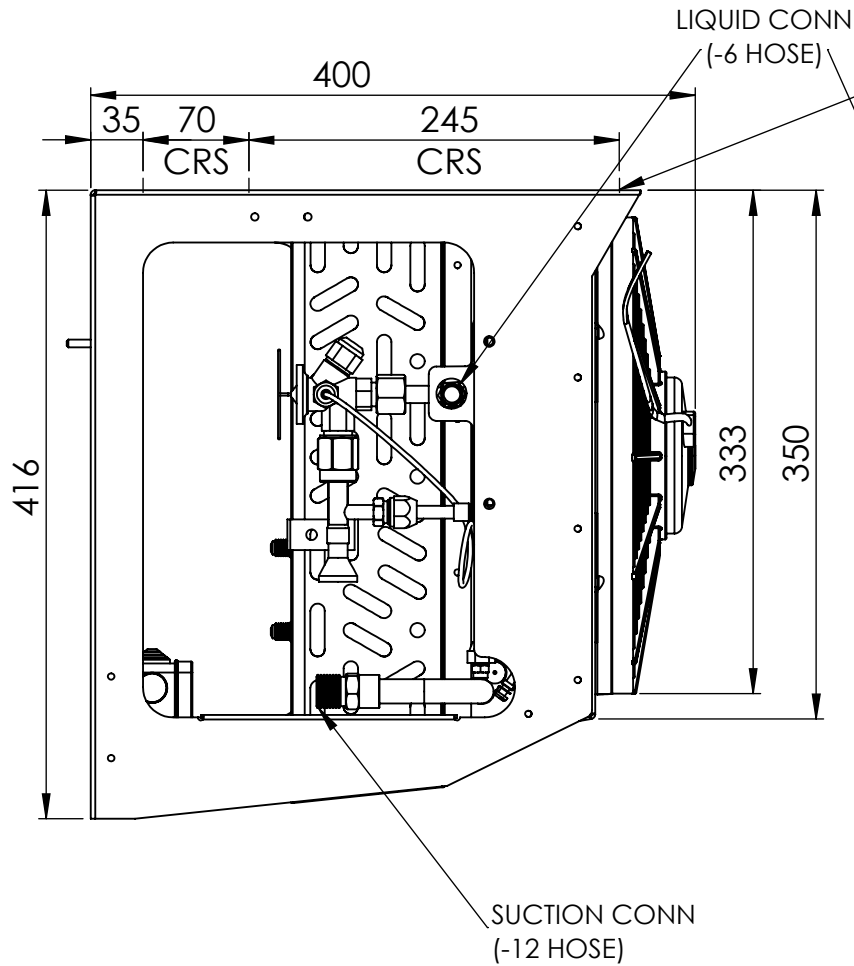
ALL DIMENSIONS IN MILLIMETRES

IF IN DOUBT ASK

MODEL	WEIGHT KG
CHILLER	14.5
FREEZER	15.5

④

6 MOUNTING HOLES $\phi 9$
USE THE FRONT HOLES ON EACH SIDE AND
ONE OR BOTH PAIRS OF REAR HOLES



REVISIONS		
REV.	DESCRIPTION	DATE
2	DESCRIPTION CHANGED DRAIN TUBES ADDED	17/03/03
3	CHANGED TO A 2 PIPE SYSTEM	07/09/2017
4	UPDATED WEIGHTS FOR LCB	15/05/2018

GENERAL TOLERANCES			
MACHINED PARTS	$\pm 0.25\text{mm}$	$\pm 0.50^*$	
SHEET METAL	$\pm 0.50\text{mm}$	$\pm 0.50^*$	
PIPEWORK	$\pm 1.00\text{mm}$	$\pm 3.00^*$	
HOLE CENTRES	$\pm 0.25\text{mm}$		
UNLESS OTHERWISE SPECIFIED			
MATERIAL			
N/A			
DRN BY	MD	DATE	07/09/17
SCALE	NTS	FINISH	S/C

	GAH (Refrigeration) Ltd Building 846, Bentwaters Parks, Rendlesham, Woodbridge, Suffolk IP12 2TW, TEL: 01394 421140		
	TITLE ARROW FREEZE AND CHILL EVAPORATORS LCB		
MODEL	ARROW	DRG NO	019-14638 REV 04